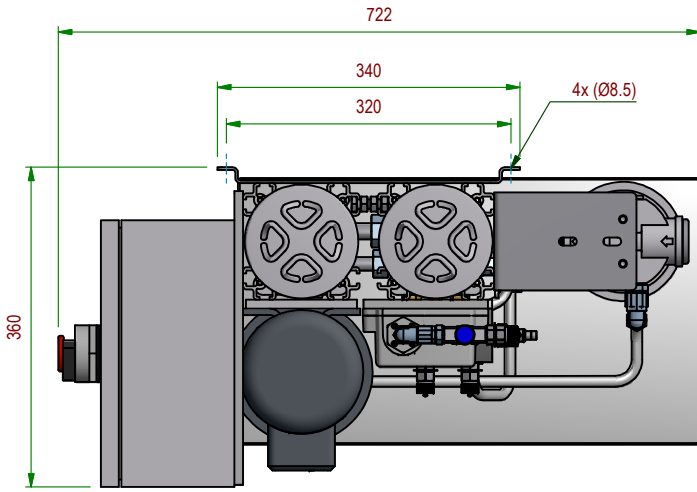
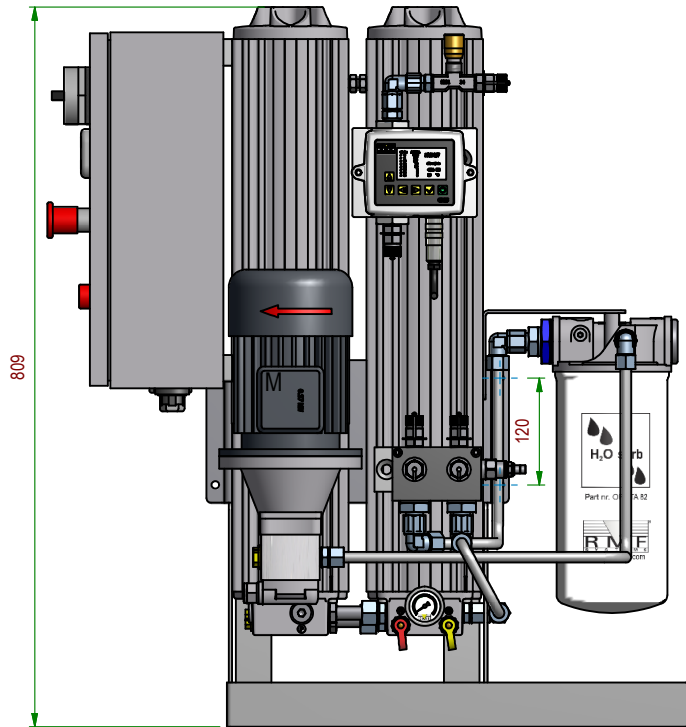
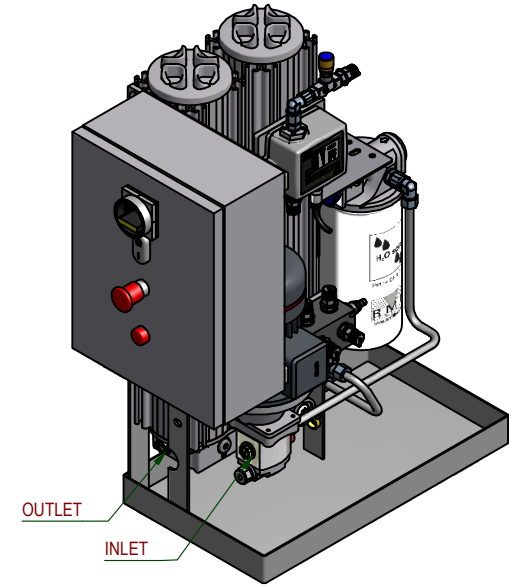
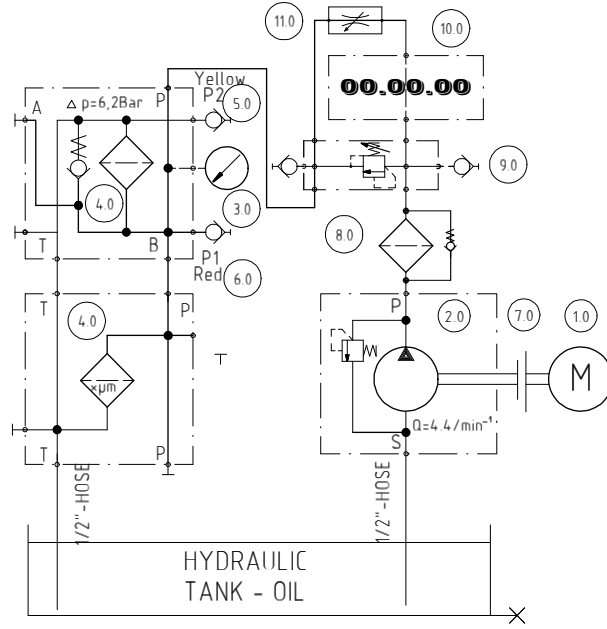


SURFACE ROUGHNESS ACCORDING TO NEN3634
FORM AND PLACE TOLERANTIES ACCORDING TO NEN3310 AND 3311



▽ 700MM Minimalabstand für Elementaustausch



DEZE TEKENING IS EIGENDOM VAN DOEDJINS BY NEDERLAND. VERMIJEN GELIJKEND OF MEDIJELING AAN DERDEN.
DIT TEGEN IS DE EIGENDOM VAN DOEDJINS BY NEDERLAND. VERMIJEN GELIJKEND OF MEDIJELING AAN DERDEN.
IN MANY FORM WHATSOEVER, IS NOT ALLOWED WITHOUT WRITTEN CONSENT OF THE PROPRIETORS.

12	1	Electric box			9285660
11	1	Needle Valve			9278412
10	1	CMS			9249830
9	1	Smart Manifold			9278251
8	1	Watersorb			9317448
7	1	Bell house + Coupling			9317997 + 9317998
6	1	Measure point P-Red			9311080
5	1	Measure point T-Yellow			9311079
4	4	Filter element			9317575
3	1	Gauge			9318371
2	1	RMF Pumo			9255940
1	1	Electric motor			9331106
Pos	Qty	Description	Size	Material	Remarks

www.rmfilter.at

DESIGNED BY	M. Wongsoredjo	DOCUMENT TITLE			
DESIGNED DATE	28/12/2011	OLUWS2B30HB010030A RMF FILTER			
DESIGNED STATE		0.37KW 3PH 3.20CC / CMS / CONTROL BOX / DRIP TRAY			
CHECKED BY		ARTICLE NUMBER	DOC. NUMBER : E0005028.dwg	REVISION	FORMAT
CHECKED DATE		9285573	PART NUMBER : E0005020		A3
PROJECTION	SCALE : 1 : 1	MATERIAL:		DIMENSIONAL TOLERANCE ACCORDING TO ISO 2768m / NEN 2368	
	UNITS : mm				