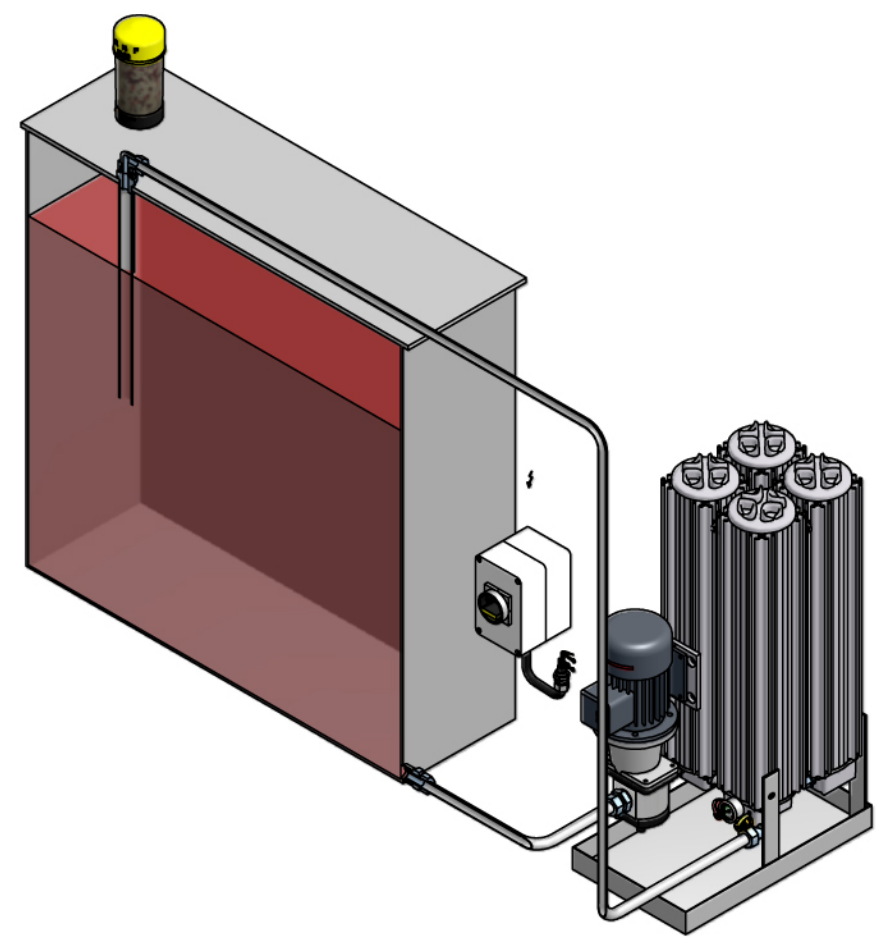
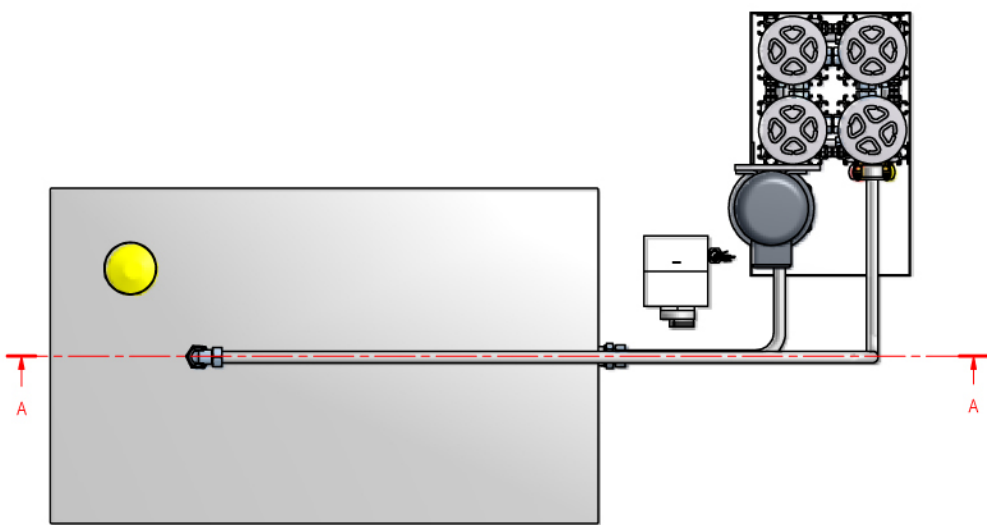
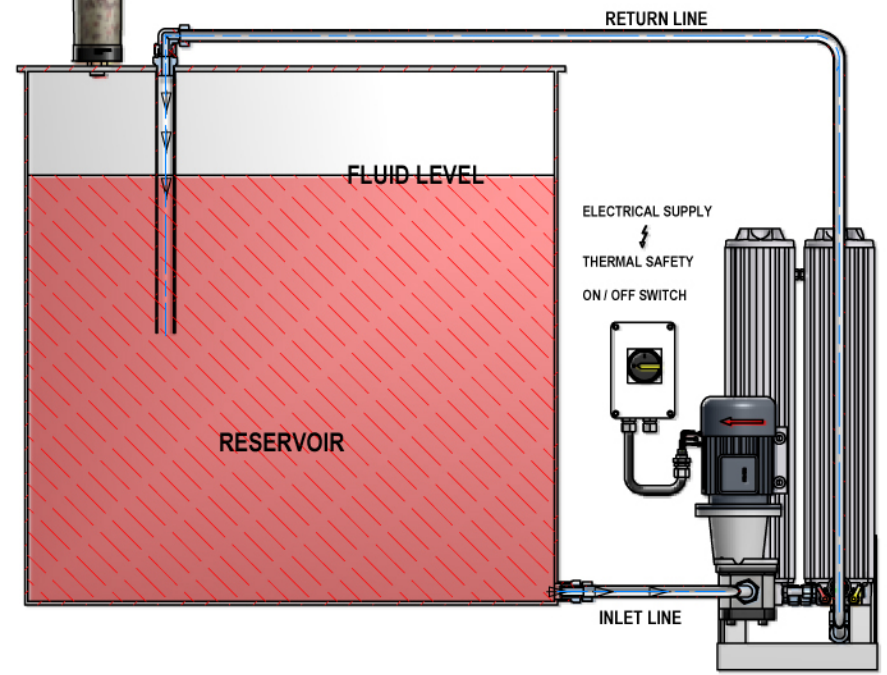




SURFACE ROUGHNESS ACCORDING TO NEN3634
FORM AND PLACE TOLERANTIES ACCORDING TO NEN3310 AND 3311



DETAIL - A-A



1	2	Inlet- and Returnline	3/4"		Internal Diameter
Pos	Qty	Description	Size	Material	Remarks
					
www.rmfilter.at			Revision	Date	Description
Designed by	M.W.	DOCUMENT TITLE			
Designed date	13/11/2009	INSTALLATION INSTRUCTION OLU4			
Design state	WorkInProgress	RMF-OFF LINE UNIT			
Checked by		ARTICLE NUMBER	DRAWING NUMBER	REVISION	
Checked date		A3--Installation OLU4			
PROJECTION	DIMENSIONAL TOLERANCE ACCORDING TO ISO 2768M / NEN 2365				
	SCALE:	1:1			

DEZE TEKENING IS EIGENDOM VAN DOEDJINS BV NEDERLAND, VERMENGTOEGANG OF MEDEDELING AAN DERDEN, IN WELKE VORM OOK, IS ZONDER SCHRIFTELIJKE TOESTEMMING NIET GEBOORLOOFT. THIS DRAWING IS THE PROPERTY OF DOEDJINS BV THE NETHERLANDS. REPRODUCTION OR DISCLOSURE TO THIRD PARTIES, IN ANY FORM WHATSOEVER, IS NOT ALLOWED WITHOUT WRITTEN CONSENT OF THE PROPRIETORS.