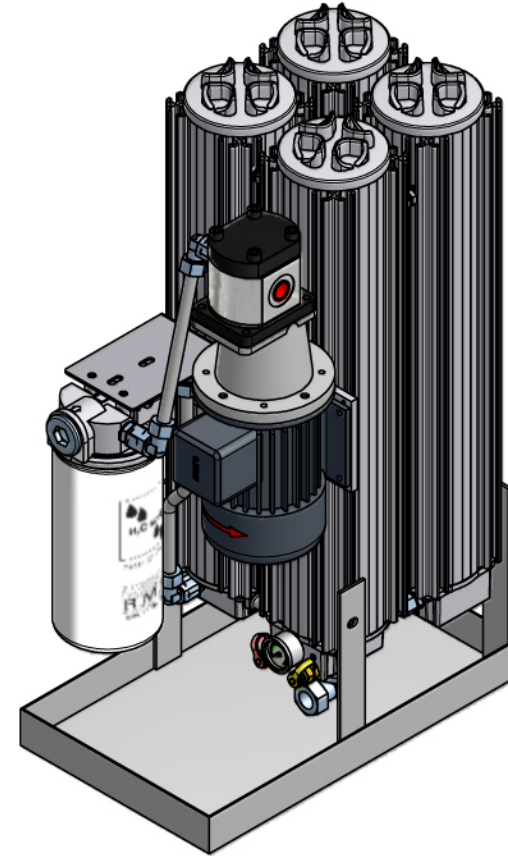
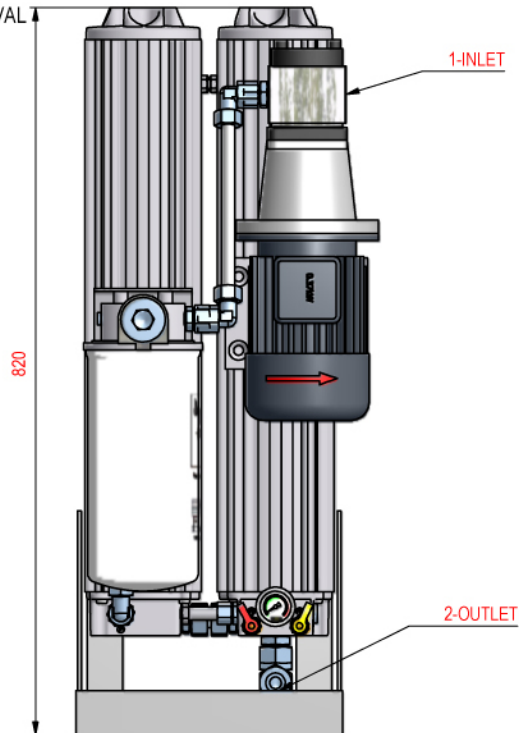


MODEL (1 : 6)



700MM

MINIMUM CLEARANCE
FOR ELEMENT REMOVAL



Pos	Qty	Description	Size	Material	Remarks
2	1	OUTLET	EW 18L		Male
1	1	INLET	G3/4" - BSP		Female

 www.rmfilter.at		Revision	Date	Description	Name
		DOCUMENT TITLE RMF OLUW4B30HB04000A RMF - OFF LINE FILTERS WITH H2O SORB			
Designed by	M.W.	ARTICLE NUMBER			
Designed date	20-11-2008	DRAWING NUMBER			
Design state	WorkInProgress	REVISION			
Checked by					
Checked date					
PROJECTION	DIMENSIONAL TOLERANCE ACCORDING TO ISO 2768H / NEN 2365	9317677		A3--9-294-12272	
	SCALE : 1:1				