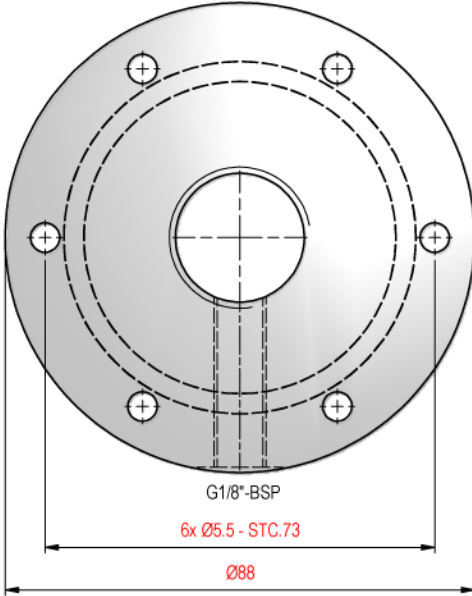
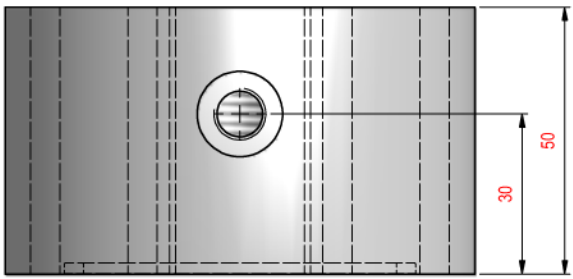
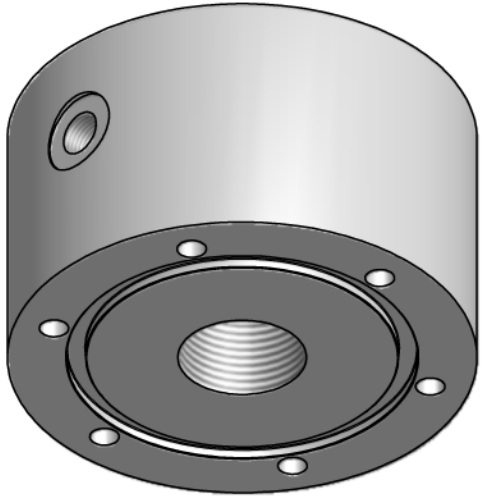
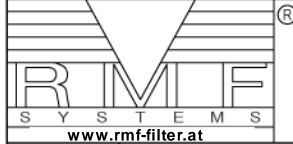



SURFACE ROUGHNESS ACCORDING TO NEN3634  
 FORM AND PLACE TOLERANTIES ACCORDING TO NEN3310 AND 3311



MODEL ( 1 : 1 )



1	1	Mounting Plate	G3/4" - BSP	PVC Black	H=50mm
Pos	Qnt	Description	Size	Material	Remarks
					
		<a href="http://www.rmfilter.at">www.rmfilter.at</a>			
Designed by		M.W.	DOCUMENT TITLE		
Designed date		4-12-2008	RMF AIRCO MOUNTING PLATE FOR 93 AND 96 SERIES		
Design state		WorkInProgress	RMF - AIRCO MOUNTING PLATE KL95		
Checked by					
Checked date					
PROJECTION		DIMENSIONAL TOLERANCE ACCORDING TO ISO 2768-M / NEN 2385	ARTICLE NUMBER	DRAWING NUMBER	REVISION
		SCALE : 1:1	9317951	A3--8-27983	

DEZE TEKENING IS EIGENDOM VAN DOEDJINS BY MEDELIERS, VERMENSUWING VAN MEDELIERS AAN DEERDEN.  
 IN ALLE RECHTEN IS ZONDER SCHRIJFTELIJK TOESTEMMING NIET GEVOORLOOFT.  
 THIS DRAWING IS THE PROPERTY OF DOEDJINS BY THE NETHERLANDS. REPRODUCTION OR DISCLOSURE TO THIRD PARTIES,  
 IN ANY FORM WHATSOEVER, IS NOT ALLOWED WITHOUT WRITTEN CONSENT OF THE PROPRIETORS.