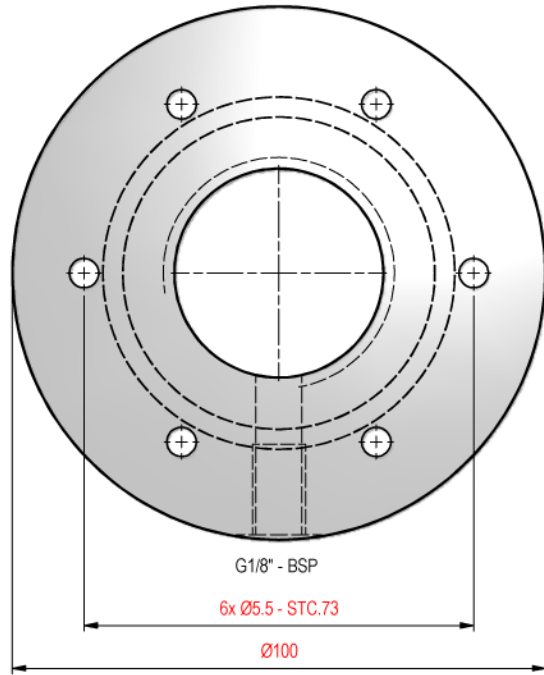


SURFACE ROUGHNESS ACCORDING TO NEN3634
FORM AND PLACE TOLERANTIES ACCORDING TO NEN3310 AND 3311

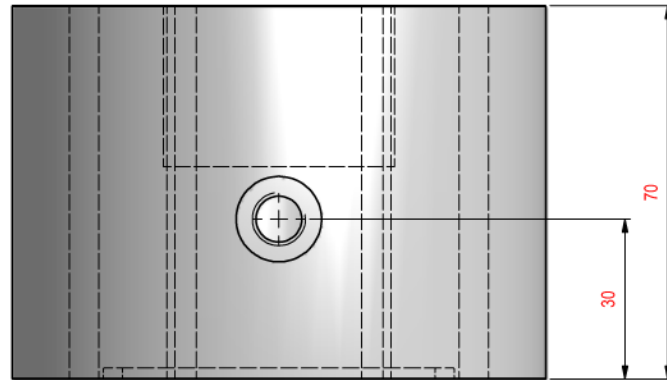
DEZE TEKENING EN ERVAN AFGELEIDE VAN OORDELING VAN MERKRIJKT EN VERMERKEN VAN DE REDELIJKE AAN DERDEN.
IN ALLE WERK DOEK IS ZONDER SCHRIJFTELIJKE TOESTEMMING NIET GEVOORLOOFT.
DIT TEGENWERTIG IS DE EIGENDEIJSCHAP VAN DE NEDERLANDSE REPRODUCTIE OF DISCLOSURE TO THIRDPARTIES.
IN ANY FORM WHATSOEVER, IS NOT ALLOWED WITHOUT WRITTEN CONSENT OF THE PROPRIETORS.



G1/8" - BSP

6x Ø5.5 - STC.73

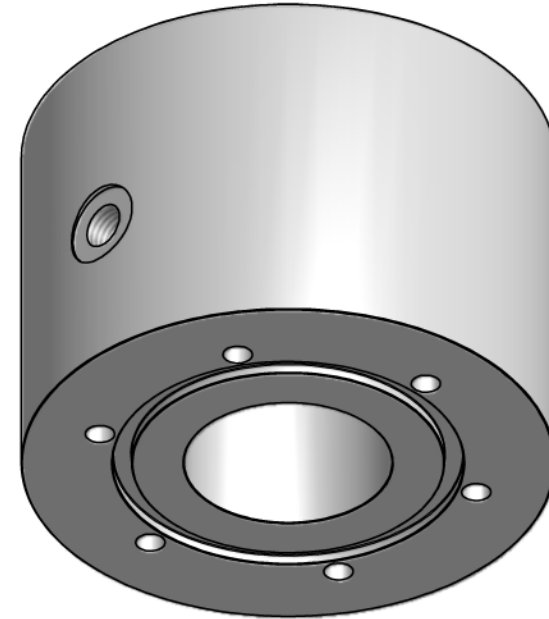
Ø100





70

30

MODEL (1 : 1)



1	1	Mounting Plate	G1.1/4" - BSP	PVC black	H=70mm
Pos	Qnt	Description	Size	Material	Remarks
					
www.rmfilter.at			Revision	Date	Description
Designed by	M.W.		DOCUMENT TITLE		
Designed date	20-2-2006		RMF AIRCO MOUNTING PLATE FOR 121 AND 122 SERIES		
Design state	WorkInProgress		RMF - AIRCO MOUNTING PLATE KL1205		
Checked by					
Checked date					
PROJECTION			ARTICLE NUMBER	DRAWING NUMBER	REVISION
 DIMENSIONAL TOLERANCE ACCORDING TO ISO 2768-M / NEN 2385 SCALE: 1:1			9331050	A3--8-27988	