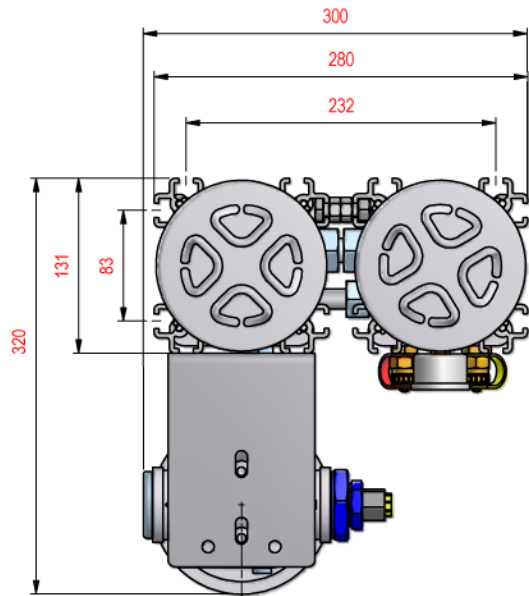
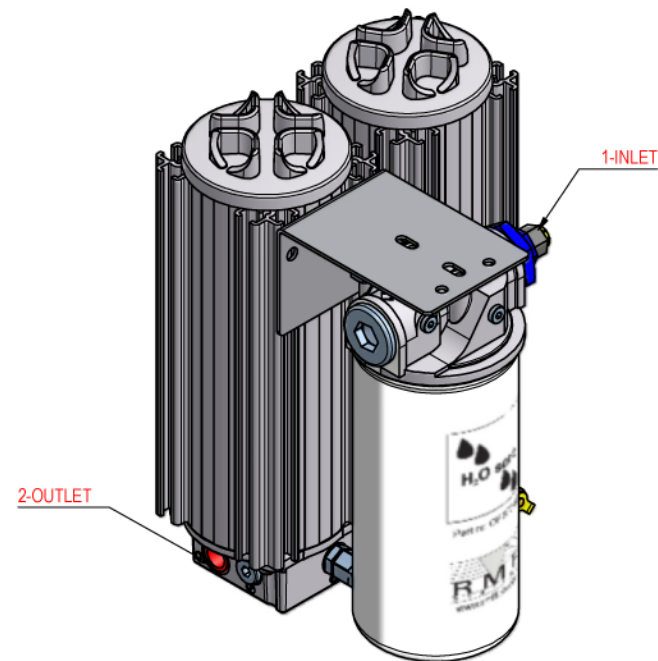


SURFACE ROUGHNESS ACCORDING TO NEN3310 AND 3311
FORM AND PLACE TOLERANTIES ACCORDING TO NEN3310 AND 3311

DETE TEGENING & ERGONOMIE VAN DOEDJINS VAN MERKRIJMS, VERMENSUALDING OF MEDEDELING AAN DERDEN.
IN ALLE LUCHTEN, IN ZONDER SCHRIJFTELIJKE TOESTEMMING VAN DE OORSPRONKELIJKE EIGENAAR.
DIT TEKENING IS HET EIGENDE VAN DE DOEDJINS VAN DE NEDERLANDS, REPRODUCTIE OF DISCLOSURE TO THIRDPARTIES,
IN ANY FORM WHATSOEVER, IS NOT ALLOWED WITHOUT WRITTEN CONSENT OF THE PROPRIETORS.

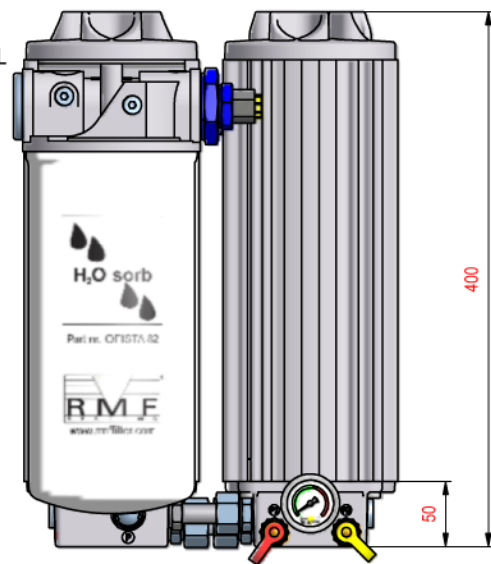


MODEL (1 : 4)



↓ 400MM

MINIMUM CLEARANCE
FOR ELEMENT REMOVAL



↓ 40MM

CLEARANCE FOR
ELEMENT REMOVAL

Pos	Qty	Description	Size	Material	Remarks
2	2	OUTLET	G1/2" - BSP		Female
1	1	INLET	G1/4" - BSP		Female

 www.rmfilter.at		Revision	Date	Description	Name
		DOCUMENT TITLE RMF FILTERUNIT BPUW2A30HB000A RMF - BY PASS UNIT			
Designed by	M.W.	ARTICLE NUMBER			
Designed date	9-12-2008	DRAWING NUMBER			
Design state	WorkInProgress	A3--9-294-12302			
Checked by		REVISION			
Checked date					
PROJECTION	DIMENSIONAL TOLERANCE ACCORDING TO ISO 2768H / NEN 2385				
SCALE :	1:1				