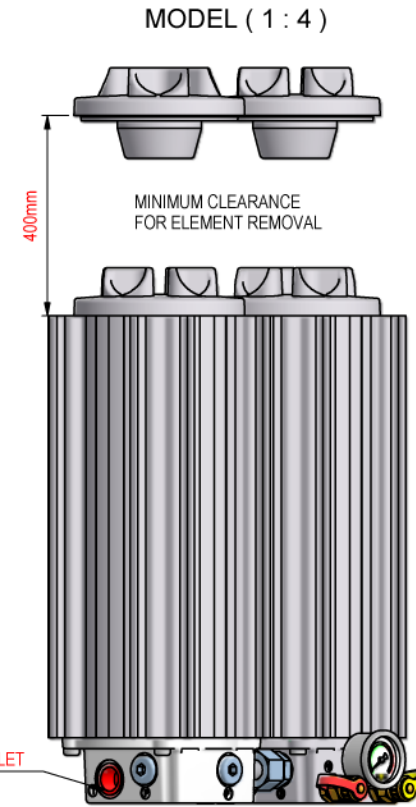
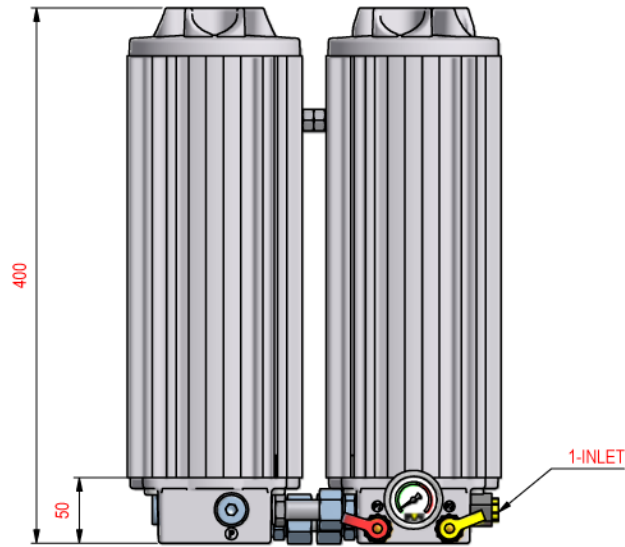
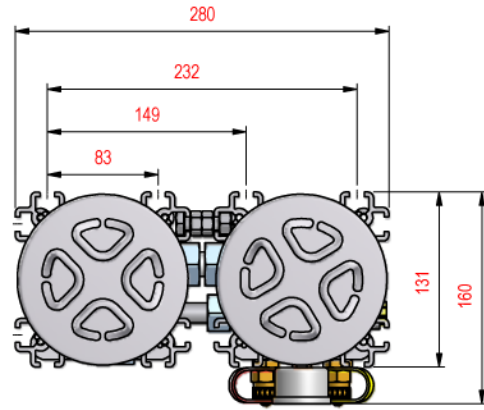




SURFACE ROUGHNESS ACCORDING TO NEN3634
FORM AND PLACE TOLERANTIES ACCORDING TO NEN3310 AND 3311

DEZE TEKENING EN OMSCHRIJVING VAN OESDELINGEN, VAN MATERIELEN, VERBODEN WEDERAFBILDING OF WEDERAFGIVEN AAN DERDEN.
IN BELGIE: WED. J. ZONER, SCHRIJFTEL. EN TOEGESTEMD MET GEBOUWDE OOR.
THIS DRAWING IS THE PROPERTY OF DOEDJINS BV, THE NETHERLANDS. REPRODUCTION OR DISCLOSURE TO THIRD PARTIES,
IN ANY FORM WHATSOEVER, IS NOT ALLOWED WITHOUT WRITTEN CONSENT OF THE PROPRIETORS.



Pos	Qty	Description	Size	Material	Remarks
2	2	OUTLET	G1/2" - BSP		Female
1	1	INLET	G1/4" - BSP		Female

 www.rmfilter.at		Revision	Date	Description	Name
		Designed by	M.W.	DOCUMENT TITLE	
Designed date	21-3-2008	RMF FILTERUNIT BPU2A30HB000			
Design state	WorkInProgress	RMF-BY PASS UNIT			
Checked by					
Checked date					
PROJECTION	DIMENSIONAL TOLERANCE ACCORDING TO ISO 2768-M / NEN 2385	ARTICLE NUMBER	DRAWING NUMBER		REVISION
	SCALE : 1:1	9317523	A3--9-294-12092		