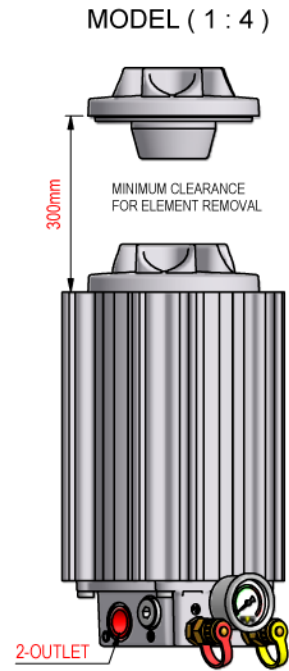
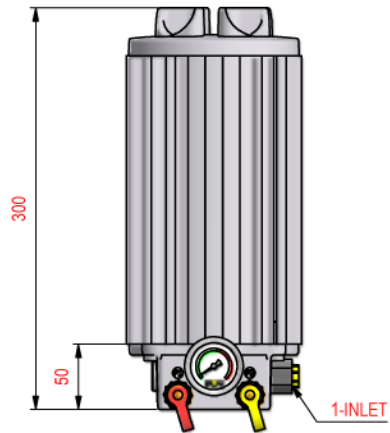
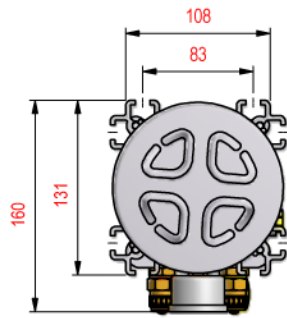




SURFACE ROUGHNESS ACCORDING TO NEN3634
 FORM AND PLACE TOLERANTIES ACCORDING TO NEN3310 AND 3311

DEZE TEKENING EN ERVAN AFGELEIDE VAN OERTEKENING VAN MERKRIJMS, VERMENSUALIJDING OF MEDEDELING AAN DERDEN,
 IN WELKE WERK DOOR IS ZONDER SCHRIJFTELIJK TOESTEMMING NIEUW GEKOOP OF
 THIS DRAWING IS THE PROPERTY OF DOEDJINS BV DE NETHERLANDS. REPRODUCTION OR DISCLOSURE TO THIRD PARTIES,
 IN ANY FORM WHATSOEVER, IS NOT ALLOWED WITHOUT WRITTEN CONSENT OF THE PROPRIETORS.



Pos	Qnt	Description	Size	Materials	Remarks
2	2	OUTLET	G1/2" - BSP		Female
1	1	INLET	G1/4" - BSP		Female

 www.rmfilter.at		Revision	Date	Description	Name
		DOCUMENT TITLE RMF FILTERUNIT BPU05A20HB000 RMF-BY PASS UNIT			
Designed by	M.W.	ARTICLE NUMBER			
Designed date	18-3-2008	DRAWING NUMBER			
Design state	WorkInProgress	REVISION			
Checked by		9317537 A3--9-294-12088			
Checked date					
PROJECTION	DIMENSIONAL TOLERANCE ACCORDING TO ISO 2768H / NEN 2365				
 SCALE : 1:1					