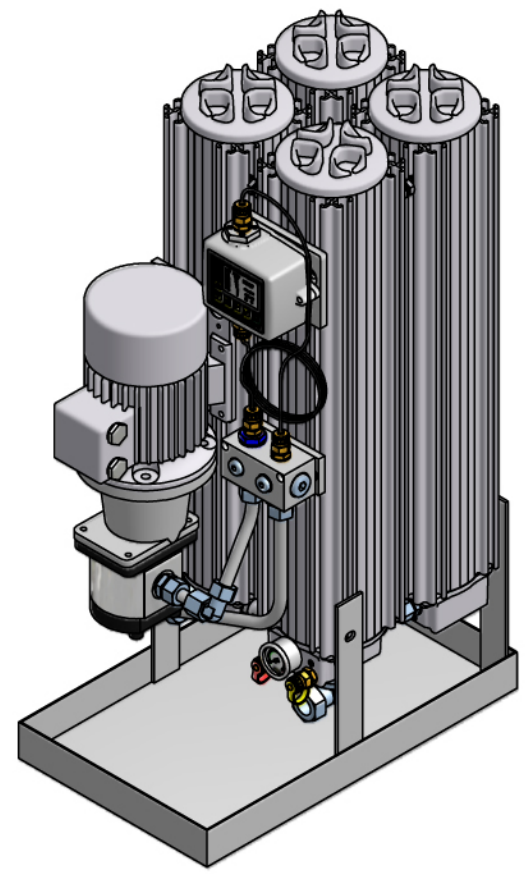
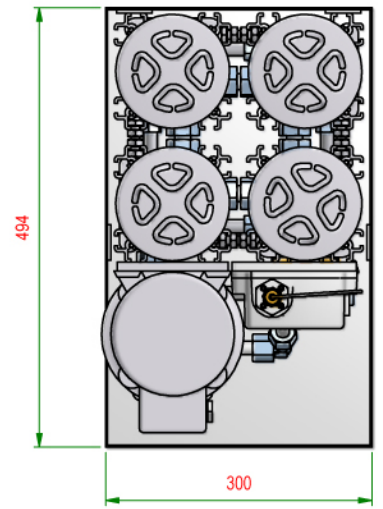
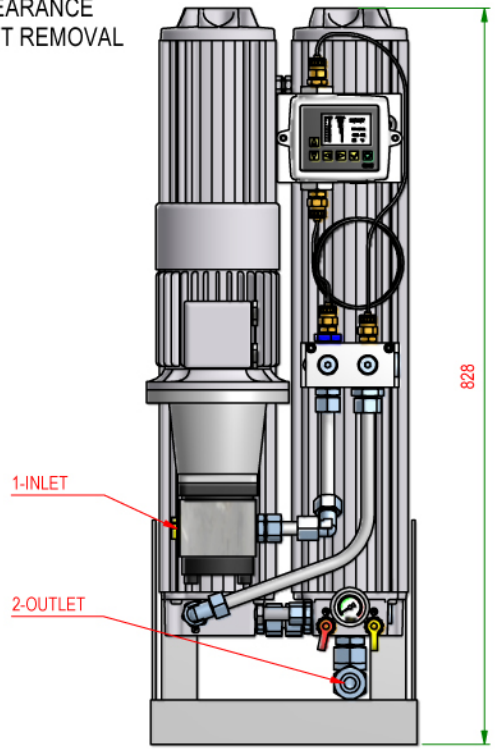




SURFACE ROUGHNESS ACCORDING TO NEN3634
FORM AND PLACE TOLERANTIES ACCORDING TO NEN3310 AND 3311



▽ 700MM
MINIMUM CLEARANCE
FOR ELEMENT REMOVAL



Pos	Qty	Description	Size	Material	Remarks
2	1	Outlet	EW 22L		Male
1	1	Inlet	G3/4" - Bsp		Female

		Revision	Date	Description	Name
		DOCUMENT TITLE RMF FILTER OLUS4B30HB040000 0.60 KW-3PH-11.3CC-CMS-W-M-K-R-G1			
Designed by	M.W.	ARTICLE NUMBER			
Designed date	10/16/2009	DRAWING NUMBER			
Design state	WorkInProgress	REVISION			
Checked by		9251693		A3--294-12483	
Checked date					
PROJECTION	DIMENSIONAL TOLERANCE ACCORDING TO ISO 2768BH / NEN 2365				
	SCALE: 1:1				

DEZE TEKENING IS EIGENDOM VAN DOEDJINS BV NEDERLAND. VERMEGENVULGING OF MEDEDELING AAN DERDEN. IN WELKE VORM OOK, IS ZONDER SCHRIFTELIJKE TOESTEMMING NIET GEEBTOEGELATEN. THIS DRAWING IS THE PROPERTY OF DOEDJINS BV THE NETHERLANDS. REPRODUCTION OR DISCLOSURE TO THIRD PARTIES, IN ANY FORM WHATSOEVER, IS NOT ALLOWED WITHOUT WRITTEN CONSENT OF THE PROPRIETORS.