

ORDERING CODES RMF FILTERS

Filter type: OLU filters
Off-line filters

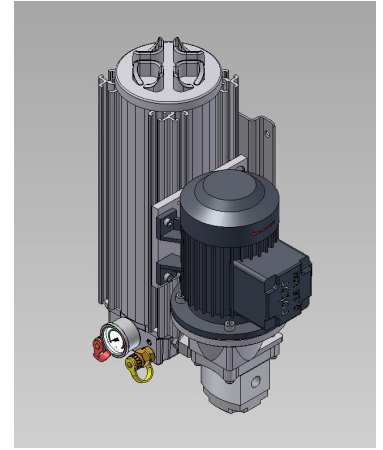


Table 1	Table 2	Table 3	Table 4	Table 5	Table 6	Table 7	Table 8	Table 9
OLU								

Table 1 Basic configuration

OLU	Off-line unit	Industrial applications
-----	---------------	-------------------------

Table 2 Housing configuration

	Housing configuration	Typical reservoir size	Number of elements
1A	Single housing (single length)	Suitable for 1350 l reservoir	1 pcs element – (300 mm)
2A	Twin housing (single length)	Suitable for 2700 l reservoir	2 pcs element – (300 mm)
4A	Quadruple housing (single length)	Suitable for 5400 l reservoir	4 pcs element – (300 mm)
1B	Single housing (double length)	Suitable for 2700 l reservoir	2 pcs element – (300 mm)
2B	Twin housing (double length)	Suitable for 5400 l reservoir	4 pcs element – (300 mm)
4B	Quadruple housing (double length)	Suitable for 10800 l reservoir	8 pcs element – (300 mm)

Table 3 Length element

30	L = 300 mm	Standard
----	------------	----------

Table 5 Seal material

B	Buna-N	Standard
V	Viton	Optional

Table 6 E-motor options

0	Standard 230/400 VAC 50Hz / 3 phase 255/460 VAC 60Hz / 3 phase
A	230 VAC 50Hz / 1 phase
B	24 VDC
C	110 VAC 50 Hz / 1 phase
D	110 VAC 60 Hz / 1 phase
E	230/400 VAC 50Hz, IP65 / 3 phase
F	230 VAC 60Hz / 1 phase
H	690 VAC 50Hz / 3 phase
N	500 VAC 50Hz / 3 phase
M	575 VAC 60Hz / 3 phase
S	Special motor, on request
X	Explosion proof, on request

Table 8 Indicator

0	Pressure gauge	Standard
1	Additional electr. indicator	Optional
2	Additional Δp indicator	Optional

Table 9 Extra options

0	No options
1	Motor / pump right side mount
2	Motor / pump left side mount
3	Motor / pump front side mount
4	Incl. on/off and motor protection relais
5	Incl. motor protection / start stop / by-pass ext
S	Stainless steel components

Table 4 Filter material

H	Cellulose 0.5 micron, silicon bottom seal
N	Cellulose 0.5 micron, NO silicon bottom seal
G1*	Glass fiber, 1 micron, $\beta_1 \geq 200$
G3*	Glass fiber, 3 micron, $\beta_3 \geq 200$
A5	Glass fiber with polymer, 5 micron, $\beta_5 \geq 200$
*	G1 and G3 also suitable for Water Glycol

Table 7 Pump options

Code	Standard for 50 Hz motor	Standard for
00	1.6 cc/rev. group 1	OLU1A
10	3.15 cc/rev. group 1	OLU2A / OLU1B
20	6.1 cc/rev. group 1	OLU4A / OLU2B
30	8.2 cc/rev. group 2	
40	11.3 cc/rev. group 2	OLU4B
50	0.8 cc/rev. group 1	obsolete
60	1.0 cc/rev. group 1	
	<i>Standard for 60 Hz motor</i>	
01	1.25 cc/rev. group 1	OLU1A
11	2.5 cc/rev. group 1	OLU2A / OLU1B
21	5.0 cc/rev. group 1	OLU4A / OLU2B
41	10 cc/rev. group 2	OLU4B

Subject to change without prior notice